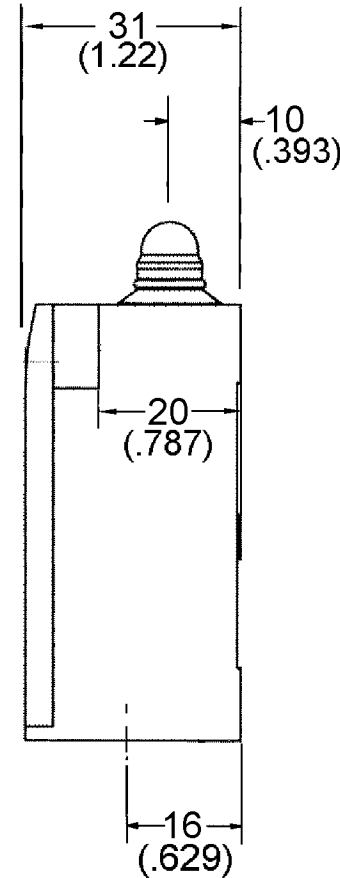
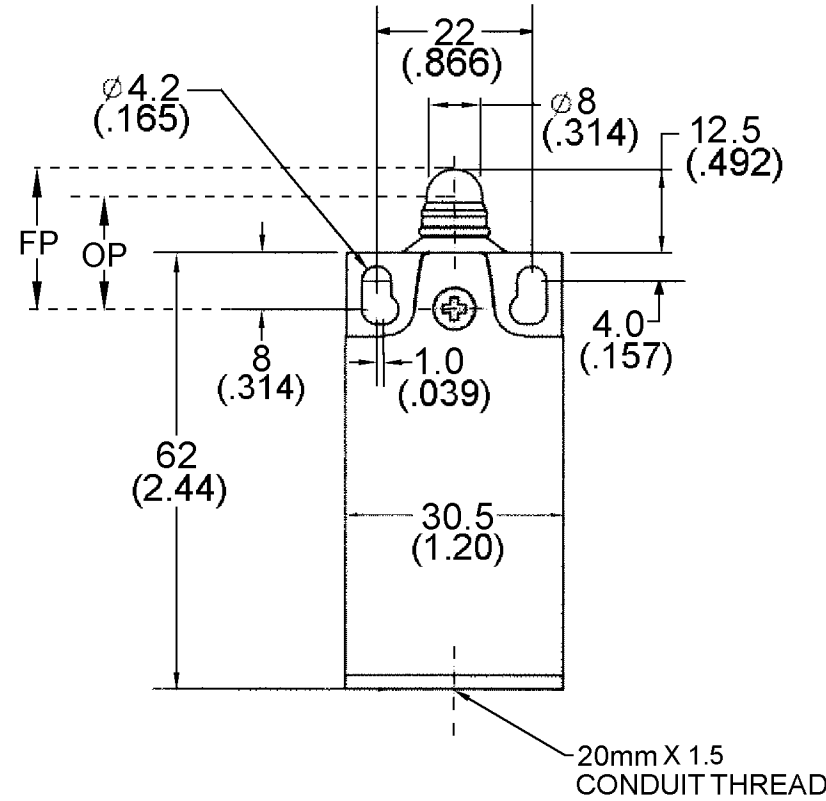


HONEYWELL  
PART NUMBER

GLLC01B

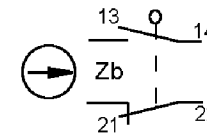
REV	DOCUMENT	CHANGED BY	CHECK
A	0015509	SPK 13SEP05	RJ

NOMINAL TRAVELS	
Items	
OF (max) (Operating force)	9.8N (2.22lb)
RF (min) (Release force)	1.5N (0.34 lb)
PT (max) (Pre-Travel)	2.8mm (0.11 inch)
OT (min) (Over-Travel)	3 mm (0.12 inch)
DT (max) (Differential Travel)	1.5 mm (0.06 inch)
OP (Operating Position)	18±0.5mm (0.71±0.02 inch)
Travel to Operate Positive Break NC Contacts:	4.5 mm (0.18 inch)
TT (Total Travel)	5.8 mm (0.228 inch)



- NOTES :
- 1 - BLUE GLASS FIBER REINFORCED PBT HOUSING AND COVER.
  - 2 - ENCLOSURE DOUBLE INSULATED TO IEC 536 CLASS II.
  - 3 - MINIMUM OPERATING VELOCITY (Vmin) = 1.0 MM/S  
MAXIMUM OPERATING VELOCITY (Vmax) = 2 M/S  
MAXIMUM OPERATING FREQUENCY (Fmax) = 120 OPS/MIN
  - 4 - FREE POSITION (FP), OPERATING POINT (OP), TOTAL TRAVEL (TT), AND PRETRAVEL (PT) ALL TO EN50047.
  - 5 - MAXIMUM TIGHTENING TORQUE FOR SCREWS  
FOR HEAD SCREWS : 0.2 Nm (1.7 in-lbs)  
COVER SCREWS : 0.5 Nm ( 4.4 in-lbs)  
LEVER RETAINING SCREW (SIDE ROTARY) : 1 Nm (9 in-lbs)  
TERMINAL SCREWS ( RECOMMENDED) : 0.8 Nm - 1.0 Nm (7-9 in-lbs)
  - 6 - RECOMMENDED WIRE SIZE : 18 AWG - 16 AWG ( .75mm<sup>2</sup>- 1.5mm<sup>2</sup>) SOLID  
18 AWG - 14 AWG ( .75mm<sup>2</sup>- 2.5mm<sup>2</sup>) STRANDED

SNAP ACTION  
CONTACTS



IEC 60947-5-1 ELECTRICAL RATING				ENVIRONMENTAL RATINGS		APPROVALS
AC		DC		IP65 NEMA 1, 12, 13		   EN50047 IEC 60947-5-1
A600	AC15	Q300	DC13	TEMP RANGE: -10°C TO 80°C 14°F TO 176°F		
Ue	Ie	Ue	Ie	SHOCK: 50G FOR IEC 68-2-27		
VOLTS	AMPS	VOLTS	AMPS	VIBRATION: 10G PER IEC 68-2-6		
120	6	125	0.55			
240	3	250	0.27			
380	1.9					
480	1.5					
500	1.4					
600	1.2					

Ith = 10A

DESIGN UNITS: INCH  
TOLERANCES UNLESS NOTED:

NO PLACE	X	±	0
ONE PLACE	.X	±	0.0
TWO PLACE	.XX	±	0.01
THREE PLACE	.XXX	±	0.005
FOUR PLACE	.XXXX	±	0.0005
ANGLES		±	3

THIRD ANGLE PROJECTION

DRAWN	PM	17MAY05
CHECK	-	-
THIS DRAWING COVERS A PROPRIETARY ITEM AND IS THE PROPERTY OF HONEYWELL. THIS DRAWING IS NOT TO BE COPIED OR USED WITHOUT THE PERMISSION OF HONEYWELL.		
INTERPRET PER ASME Y14.5M-1994 OTHER HONEYWELL ENGINEERING STANDARDS MAY APPLY		
RASTER		

<b>Honeywell</b>			
TITLE <b>SWITCH, LIMIT</b>			
SIZE	TYPE	DRAWING NAME	REV
<b>B</b>	<b>I</b>	GLLC01B	<b>A</b>
SCALE	-	SHEET	1 OF 1